

# PIAA

## Shock Lamp RS800 H.I.D. Installation Instructions

Thank you very much for purchasing PIAA product.  
Please read this entire manual before installation and use of this product.

### For Installers

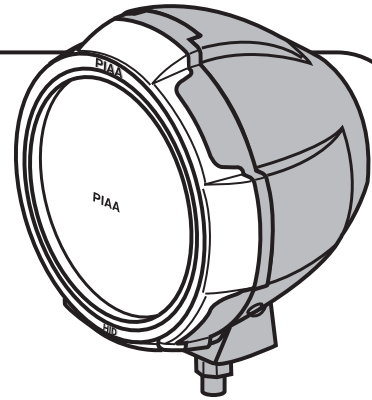
Please give this Installation Manual to customer after installing.

- When installing two lamps on vehicle it is necessary to purchase another relay harness PN 34035 - one harness is required for each lamp.



### WARNING

- Lighting laws vary state to state, check your local laws before use.
- The lamps get very hot when they have been in use. Do not touch them as they may cause burns.
- After the lights have been on do not place them near flammable objects.
- Do not splash water directly on the hot lamps, as this may cause cracking of the lens due to dramatic change in temperature.
- To avoid potential damage to your eyes do not look directly into the lamp.
- This product is designed for 12v automotive electrical systems only.
- Using this light system while the engine is not running will drain the battery.
- Do not repeatedly turn the light system on and off as it will shorten the life of the system.
- To avoid potential damage to your lights make sure your lights are turned off prior to starting or shutting off your vehicle.
- Using the wrong bulbs may cause a malfunction, use only specified PIAA bulbs.
- When changing bulbs or lenses follow the lamp assembly/disassembly diagram.



 **WARNING**

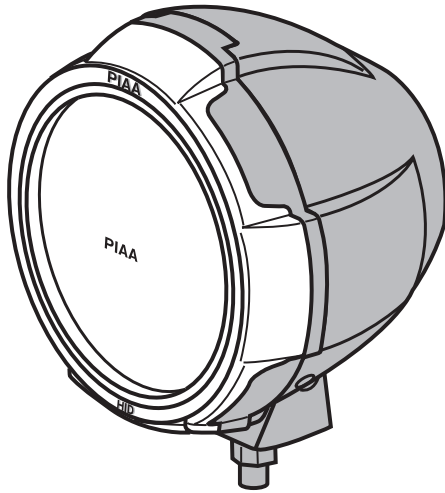
- When activated this system operates at extremely high voltage(20,000v). **DO NOT** turn on the switch when holding the cord that connects the ballast and the lamp.
- Use of damaged or incorrect wiring may cause this product to malfunction and or cause an electrical fire.
- Remember this product operates at extremely high voltage. Make sure your hands and work area are clean and dry to avoid injury from electrical shock.
- Leave at least 1/8" clearance between the lamps and the front spoiler, as the heat may damage the spoiler.

 **CAUTION**

- This product generates high voltage and is very dangerous. For installation, always contact one of the PIAA authorized dealers.
- This Lamp should only being mounted in the upright position PIAA logo should read right side up.
- For maximum lamp function, always use the PIAA relay harness (P.N.34035).
- Do not disassemble or alter the lamp itself and the controller. Also do not open the cover, disassemble or alter the relay harness unless the fuse inside the relay unit needs to be replaced. Overheating, short circuit, or vehicle fire could occur by disassembly or alteration. We are not responsible for any trouble due to alteration.
- When removing/installing the connector, hold the connector to securely remove/install. If not securely connected, the lamp will not light up and other problems might occur.

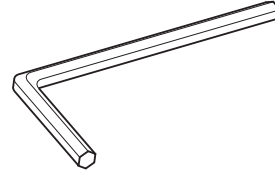
## CONTENTS

One (1) Lamp assembly

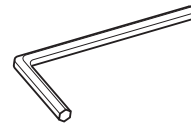


\* Make sure that all parts are in the package.  
If something is missing, please contact  
the store where you purchased the product.

One (1) Large hexagonal wrench



One (1) Small Hexagonal wrench

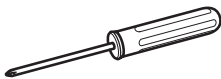


One (1) Rubber cushion

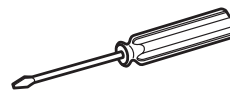


## TOOLS

Phillips-head screwdriver



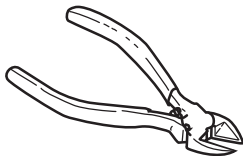
Flathead screwdriver



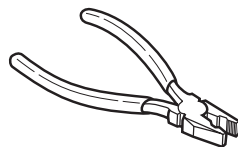
8mm 19 mm Wrench



Diagonal cutters



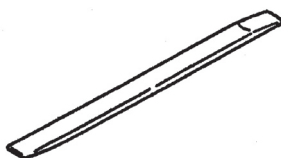
Pliers



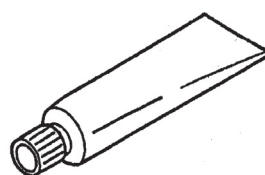
Box wrench



Ornament remover

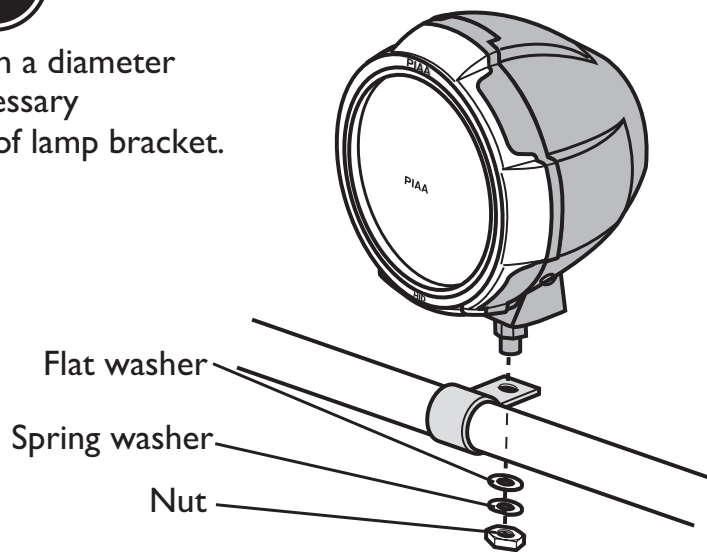


Black sealer



## LAMP INSTALLATION

- (1) For lamp installation, a hole with a diameter of 14mm is required. Make necessary preparation such as installation of lamp bracket.



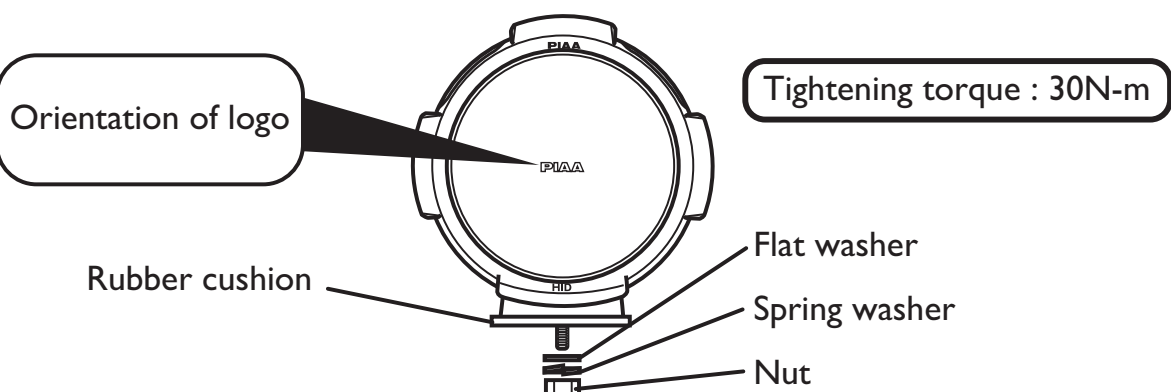
**! CAUTION**

- When using a commercially supplied lamp bracket, before removing the bolt that is already installed on the car body, make sure that it is safe to do so.
- The lamp should be mounted in an area sufficient to support its size and weight. Failure to do so may result in excess vibration leading to shorter bulb life and or physical damage to the lamp or your vehicle.
- Do not attempt to install the lamp directly to any plastic part of the car body. If the lamp needs to be installed on the plastic reinforcement materials should be placed on both sides of the plastic part.
- When installing, make sure the lamp body, lens and rim are not touching the bumper and other plastic parts. Such plastic parts might deform.
- The lamp installation surface should be flat.

- (2) Using the Rubber cushion, flat washer, spring washer and nut install the lamp to the car ensuring the PIAA logo read right side up.

**! CAUTION**

- The lamp should be tightened to the degree that the lamp body cannot be moved by hand.



## HARNES INSTALLATION

**When connecting the wires on the harness, follow the wiring diagram and the sequence below.**

- ① Before connecting any wires disconnect the negative (-) battery terminal.

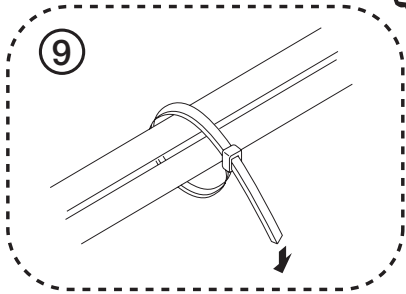
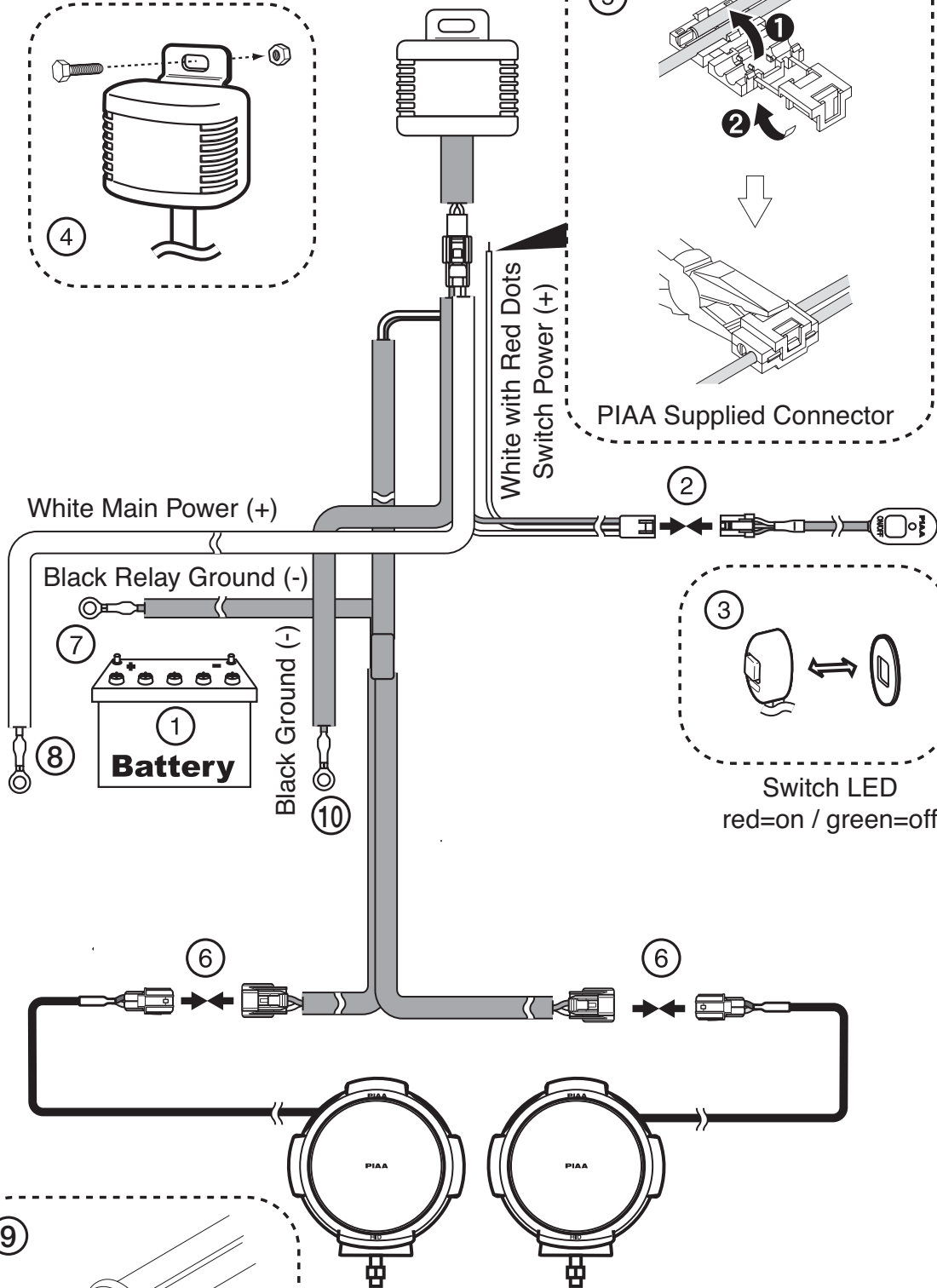
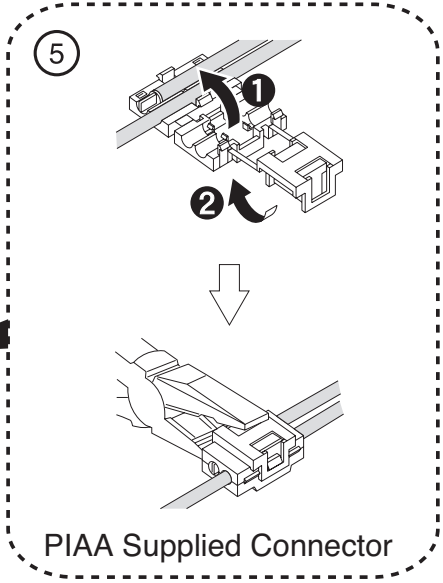
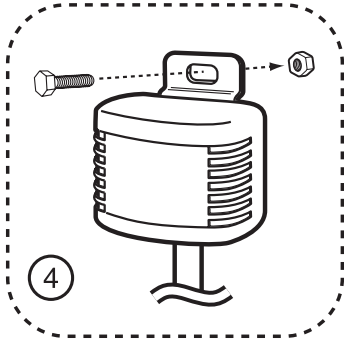
**Note:**When running the wires through the engine compartment be sure to keep them securely away from moving parts such as the fan and the throttle cable and away from hot parts such as the exhaust manifold.

- ② Pull the connector for the relay harness switch into the car and connect to the switch harness.
- ③ Identify the best location for the switch then attach the switch to the vehicle using the double-sided adhesive tape(included).
- ④ As shown, fix the relay unit with the hexagonal bolt (included) and the hexagonal nut (included) so that the cord comes to the bottom side.
- ⑤ Connect the (+) cord (white) to the (+) cord of the side lamps by using the one-touch connector (included).

**Note:** Holding the cord securely with pliers make sure the one-touch connector is properly closed.

- ⑥ Connect the relay harness to the controller.
- ⑦ Ground the (-) cord on the body side.
- ⑧ Connect the (+) power cord (white) and the battery (+) terminal to the battery.
- ⑨ Use the harness band (included with P.N.34035) to fix the relay harness to the car body side harness so that it will not come in contact with any movable engine and or high temperature parts.
- ⑩ Connect the (-) power cord (black) and the battery (-) terminal to the battery.

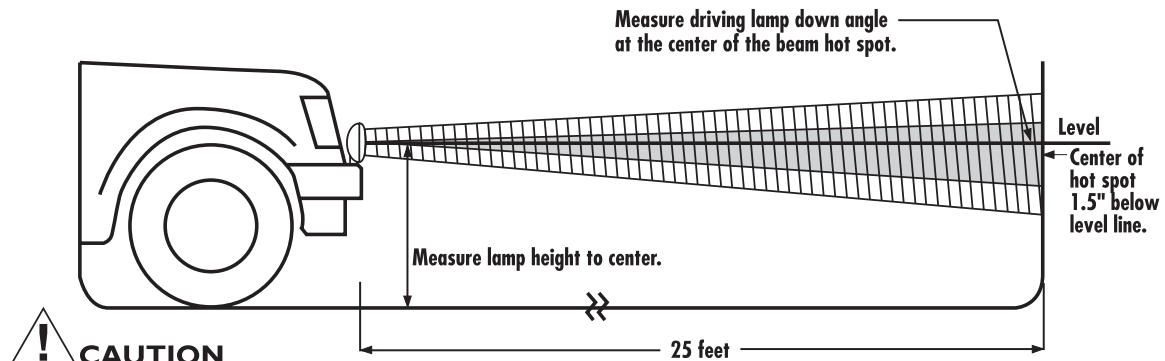
# WIRING DIAGRAM



## DRIVING LIGHT AIMING

Typically, driving lights are mounted above the front bumper about 14-30 inches from the ground to provide extra high beam illumination. Driving lights can be mounted below the bumper, although they will not be as effective because the light will hit the ground sooner and reduce the range of the light.

Visual aim is made with the center of the beam hot spot 1.5 inches below the lamp center at 25 feet with the lamp facing straight forward. (see below.)



 CAUTION

**Do not use driving lights into oncoming traffic.**

**Driving lights should never be the only forward light source.**

**Driving lights should only be used with the headlamp high beams.**

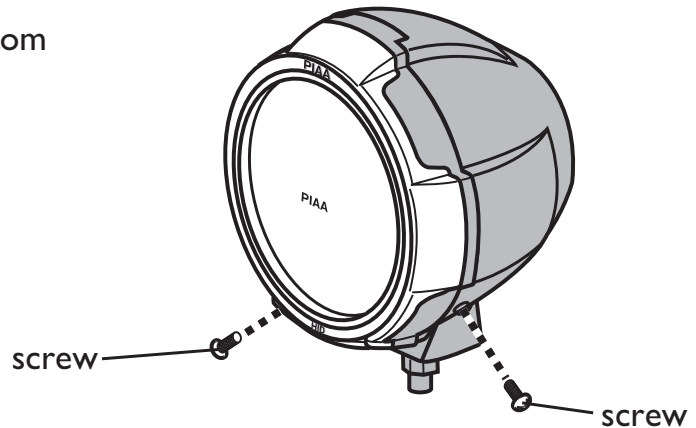
## BULB CHANGE METHOD

The customers should not do the installation work.

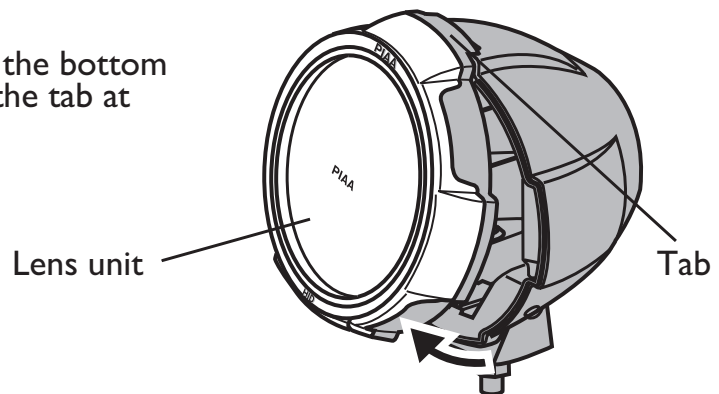
### WARNING

- Never change the bulb when the lamp switch is turned on. Abnormal electric discharge occurs, and electrification might result. It can be very dangerous.

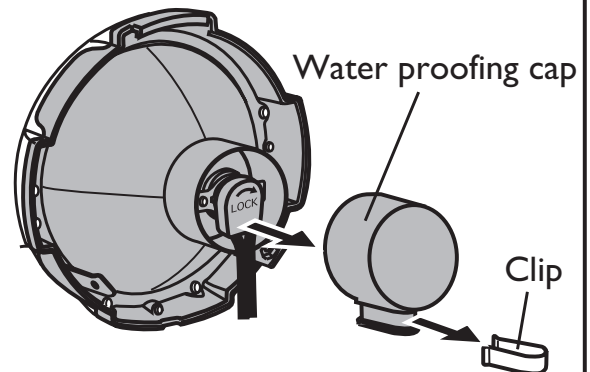
- (1) Remove two screws at the bottom of the lamp.



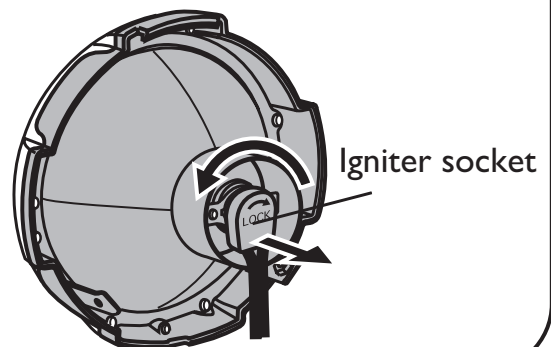
- (2) Raise the lens unit by lifting the bottom of the lamp. Then, remove the tab at the top of the lamp.



- (3) Remove the clip and water proofing cap as shown.

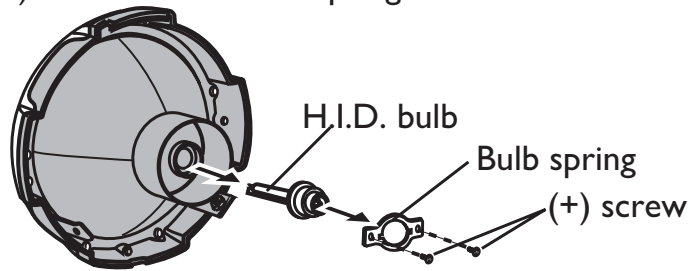


- (4) Turn the igniter socket to the left and remove it by pulling towards you.

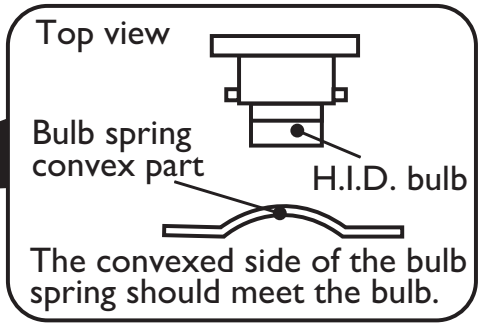
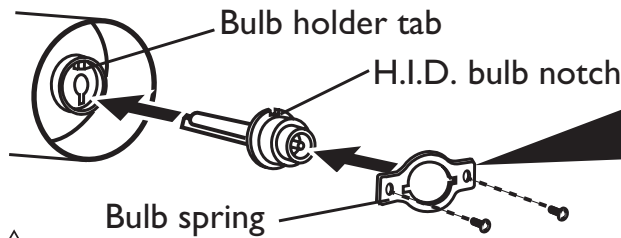




(5) Remove two (+) screws at the bulb spring to remove H.I.D. bulb.



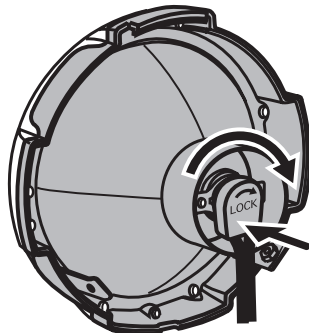
(6) Engage the H.I.D. bulb notch to the lug on the bulb holder, then fix with the bulb spring and (+) screw.



**! CAUTION**

- Use PIAA H.I.D. bulb (D2S).
- Check for correct side of the bulb spring for proper installation.

(7) Engage the igniter notch to the lug on the bulb, then insert and turn to the right to lock.



**! WARNING**

- After connection is done, make sure that the word "LOCK" on the socket is properly oriented.



**! CAUTION**

- Securely install the bulb socket to the bulb. If not properly installed, abnormal electric discharge occurs when the lamp switch is turned on. Electrification and melting of bulb socket might occur, and it is very dangerous. (Max. voltage of 20,000V)

(8) Attach the water proofing cover and the clip.

(9) Set the tab at the top of the lens unit to the top of the lamp body, then fix with the screw.

## **PIAA LIMITED WARRANTY**

With the exception of bulbs, PIAA Corporation, USA ("PIAA") warrants its products to be free from defects in workmanship and materials under normal use for as long as the original purchaser owns them.

### **EXCLUSIONS**

This Limited Warranty specifically excludes defects resulting from misuse, abuse, neglect, alteration, modification, improper installation, unauthorized repairs, submersion, theft, vehicle crash, or by any other type of impact. Except for the Limited Warranty stated above, there are no warranties of PIAA products or any part thereof, whether express or implied. Any implied warranty of merchantability or any warranty of fitness for a particular purpose is expressly disclaimed. Some states do not permit the disclaimer of implied warranties.

### **LENS CRACKS**

Crash or impact damage is not covered. This can be determined by a chip or scrape on the lens or the housing. Stress cracks sometimes occur when the lens is subjected to sudden and extreme temperature changes. A stress crack has no chip or other sign of impact. Stress cracks are covered under warranty.

### **EXCLUSION OF DAMAGES**

In no event shall PIAA be liable for any damages whatsoever (including, without limitation, consequential damages, incidental damages, or damages for loss of use, loss of business profits, business interruption, loss of business information, loss of time, inconvenience, or other losses) arising out of the use, misuse, or inability to use a PIAA product. PIAA reserves the right to change the design its products without any obligation to modify any previous product. This warranty gives you specific legal rights. You may also have other rights that vary from state to state.

### **REPAIR AND REPLACEMENT**

If a PIAA product is suspected of being defective, it must be submitted freight prepaid, to either an authorized dealer or distributor for warranty inspection. The receipt or other proof of purchase and a description of the problem must be included. The returned product will be inspected. If the product is found to be defective and covered by this Limited Warranty, the sole remedy is repair or replacement, at PIAA's option. A repaired or replacement product will be shipped back at no charge, and will be warranted to be free from defects in workmanship and materials under normal use for as long as the original purchaser owns it. Removal, installation, or reinstallation costs are not covered by this Limited Warranty.

**PIAA CORPORATION, USA**

3004 NE 181st Avenue  
Portland, Oregon 97230  
Telephone: 503.489.6666  
Fax: 503.489.6600  
Web: [www.piaa.com](http://www.piaa.com)