

# PIAA 410 SMR

## Installation Instructions

Thank you very much for purchasing PIAA product.  
Please read this entire manual before installation and use of this product.

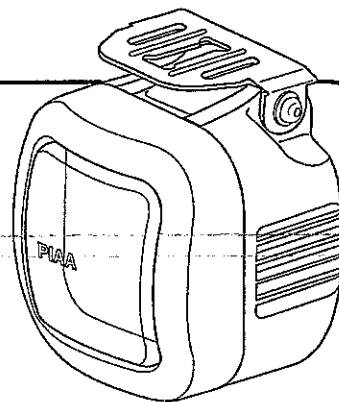
### For Installers

Please give this Installation Manual to customer after installing.



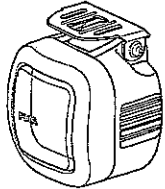
#### WARNING

- Lighting laws vary state to state, check your local laws before use.
- The lamps get very hot when they have been in use. Do not touch them as they may cause burns.
- After the lights have been on do not place them near flammable objects.
- Do not splash water directly on the hot lamps, as this may cause cracking of the lens due to dramatic change in temperature.
- Do not look directly into the light of the lamps as the bright light may cause eye damage.
- The lamps and relay harness are to be used only with 12 volt automotive electrical systems.
- Using this light system while the engine is not running will drain the battery.
- Do not repeatedly turn the light system on and off as it will shorten the life of the system.
- Some automobiles generate high voltage at start up and when it is turned off, do not have lights on as you start or turn off your vehicle.
- Using the wrong bulbs may cause a malfunction, use only specified PIAA bulbs.
- When changing bulbs or lenses follow the lamp assembly/disassembly diagram.
- Leave at least 1/8" clearance between the lamps and the front spoiler, as the heat may damage the spoiler.

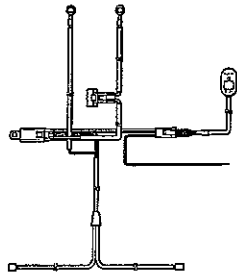


## CONTENTS

Two (2) PIAA 410 lamps



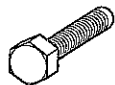
One (1) PIAA preassembled relay harness with fuse and switch



Two (2) adhesive pads



Two (2) 10mm mounting bolts



Two (2) 10mm nuts



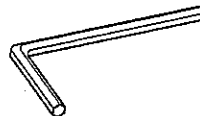
Two (2) 10mm tooth washers



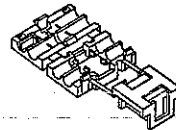
Four (4) self-tapping screws



One (1) Hex wrench



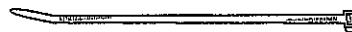
One (1) PIAA one touch connector



One (1) piece of switch adhesive

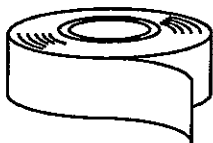


Five (5) wire ties

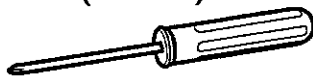


## TOOLS

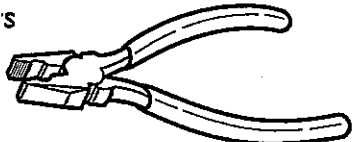
Vinyl electrical tape



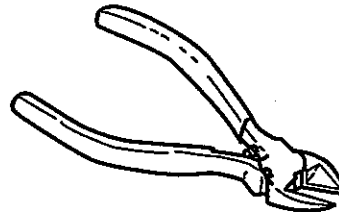
Phillips driver (medium)



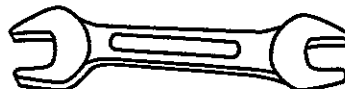
Pliers



Diagonal cutters

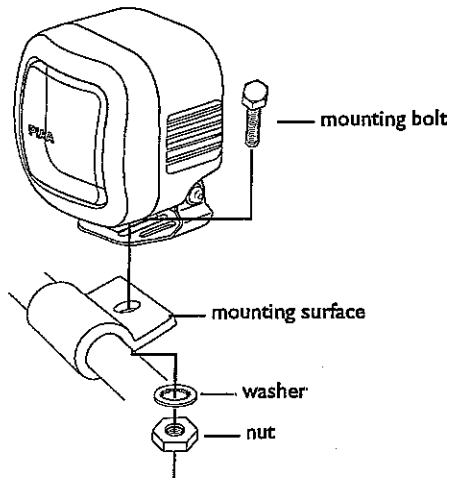


17mm Wrench

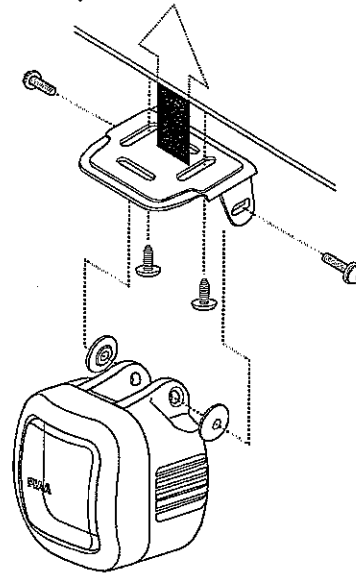


## PIAA 410 MAXIMUM VERSATILITY

### Mounting Method 1 (Bolt Mount)

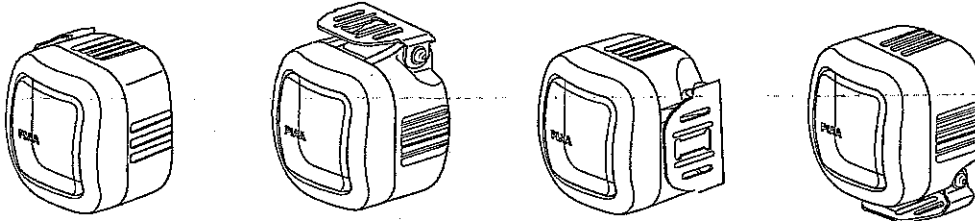


### Mounting Method 2 (Adhesive Tape and Screw Mount)



## MOUNTING POSITIONS

The PIAA 410 lamps may be mounted in four positions using one of the two mounting methods to suit a variety of applications.



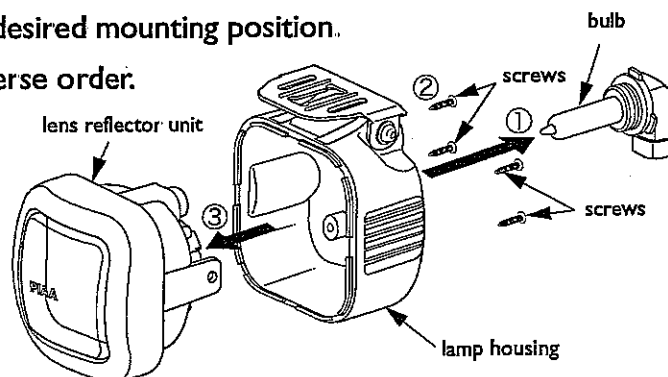
Changing the mounting position requires removing the lamp housing.

- ① Remove bulb from lamp housing.
- ② Using the Philips driver, loosen the four (4) screws and separate housing from lens reflector unit.
- ③ Rotate the lamp housing to desired mounting position.
- ④ Re-assemble the lamp in reverse order.



**CAUTION**

**THE "PIAA" MOLDED IN THE GLASS LENS MUST READ RIGHT SIDE UP.**



## HARNES INSTALLATION

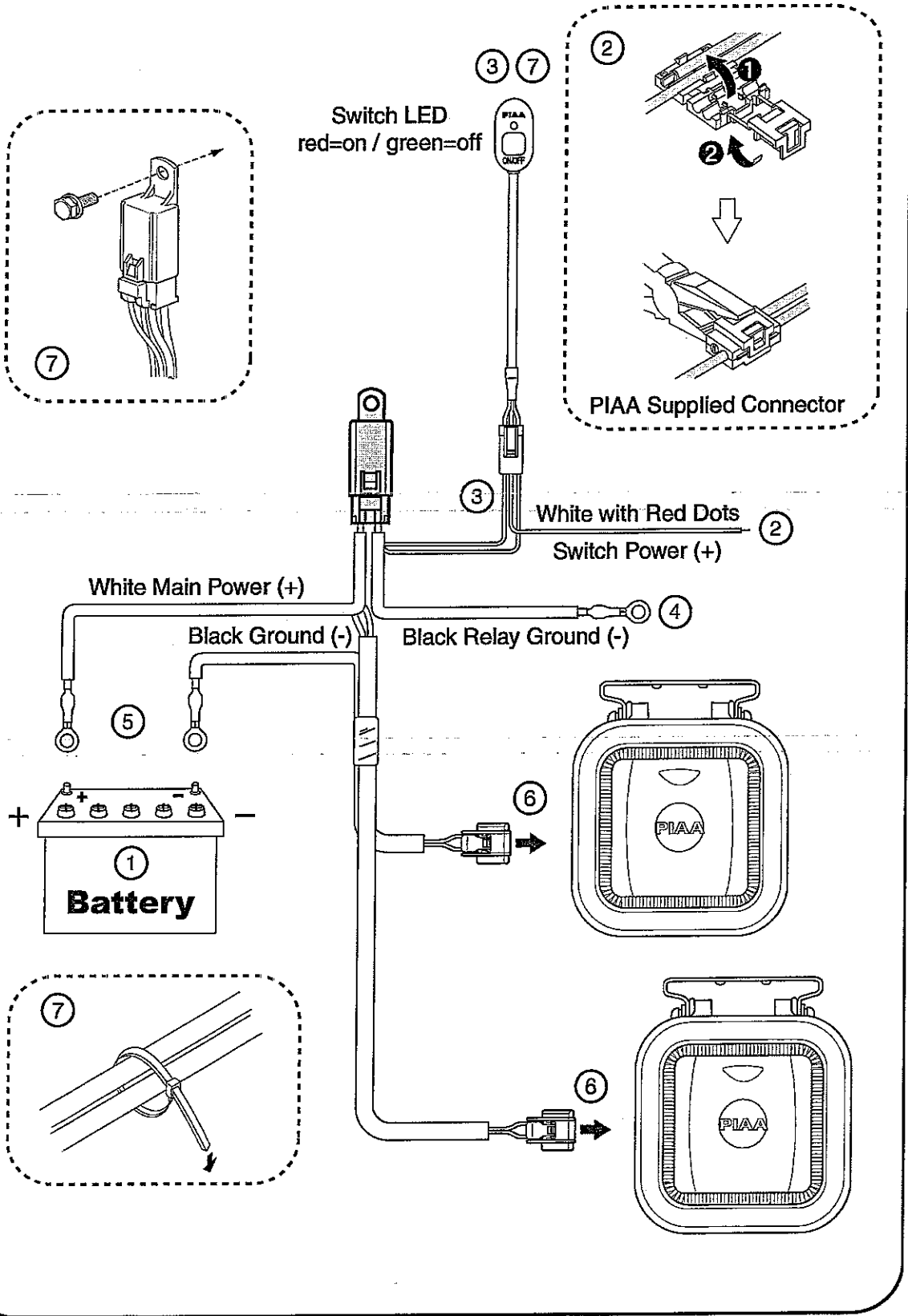
**When connecting the wires on the harness, follow the wiring diagram and the sequence below.**

- ① Before connecting any wires disconnect the negative (-) battery terminal.

**Note:** When running the wires through the engine compartment sure to keep them securely away from moving parts such as the fan and the throttle cable and away from hot parts such as the exhaust manifold.

- ② Find a power source to connect the switch power wire to. For legal operation of driving lights, the power source must be one that is only powered when the high beam of the headlamps is on. To make this connection use the supplied connector or any connector that is suitable for this application. **Do not** connect lights to turn signals or to lights that flash with an automotive alarm.
- ③ Run switch wires into driver's compartment. If wires pass through the fire wall a rubber grommet must be used. Connect switch to switch wires and mount switch in desired location.
- ④ Connect relay ground to chassis or battery negative (-).
- ⑤ For proper lamp operation it is recommended that you connect the positive (+) and negative (-) power supply wires directly to the corresponding battery terminals. Do not take power directly from the alternator.
- ⑥ Carefully connect harness to bulbs.
- ⑦ When the wiring is complete, test the system for operation. Do this by turning on the system. If the system works, securely fasten the relay boxes and fuse holders or tie them out of the way with wire ties. If the system does not come on, please contact your PIAA dealer for assistance.
- ⑧ Aim lamps according to Light Aiming instructions on page 5.
- ⑨ Tighten all fasteners.

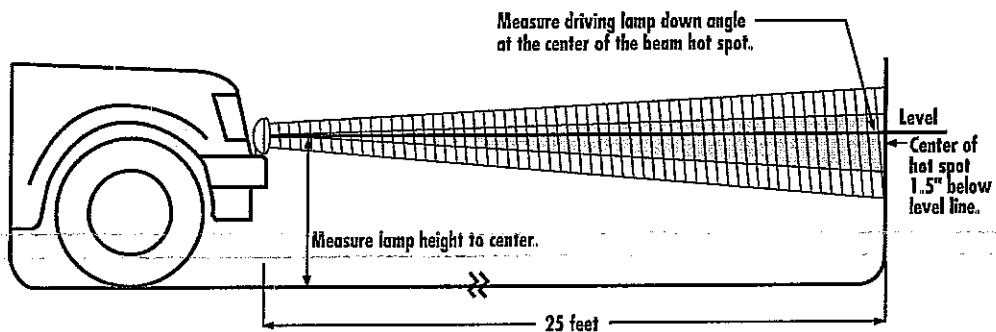
# WIRING DIAGRAM



## DRIVING LIGHT AIMING

Typically, driving lights are mounted above the front bumper about 14-30 inches from the ground to provide extra high beam illumination. Driving lights can be mounted below the bumper, although they will not be as effective because the light will hit the ground sooner and reduce the range of the light.

Visual aim is made with the center of the beam hot spot 1.5 inches below the lamp center at 25 feet with the lamp facing straight forward. (see below.)



### CAUTION

**Do not use driving lights into oncoming traffic.**

**Driving lights should never be the only forward light source.**

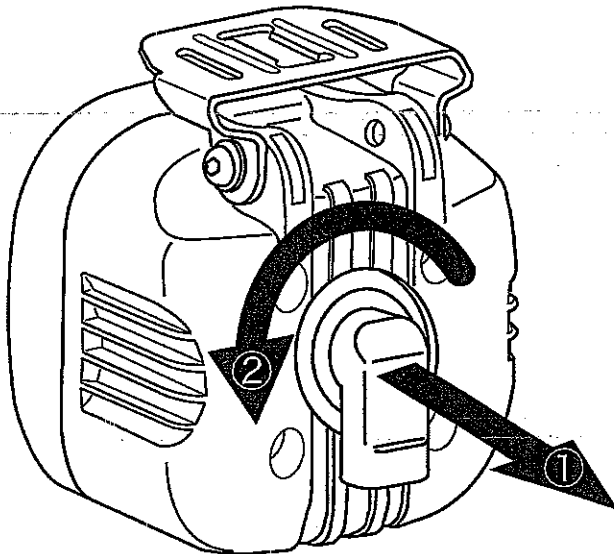
**Driving lights should only be used with the headlamp high beams.**

## LAMP SERVICE

The PIAA 410 lamps have replaceable 9005 HB3 style bulbs.

To replace the bulb:

- ① Disconnect harness from bulb.
- ② Turn bulb counter-clockwise until it stops.
- ③ Carefully remove bulb from lamp housing.
- ④ Install replacement bulb in reverse order of removing original bulb.



**!** CAUTION

**DO NOT BUMP OR BANG THE GLASS TUBE. AN IMPACT ON THE GLASS TUBE COULD CAUSE IT TO BURST.**

## **PIAA LIMITED WARRANTY**

With the exception of bulbs, PIAA Corporation, USA ("PIAA") warrants its products to be free from defects in workmanship and materials under normal use for as long as the original purchaser owns them.

### **EXCLUSIONS**

This Limited Warranty specifically excludes defects resulting from misuse, abuse, neglect, alteration, modification, improper installation, unauthorized repairs, submersion, theft, vehicle crash, or by any other type of impact. Except for the Limited Warranty stated above, there are no warranties of PIAA products or any part thereof, whether express or implied. Any implied warranty of merchantability or any warranty of fitness for a particular purpose is expressly disclaimed. Some states do not permit the disclaimer of implied warranties.

### **LENS CRACKS**

Crash or impact damage is not covered. This can be determined by a chip or scrape on the lens or the housing. Stress cracks sometimes occur when the lens is subjected to sudden and extreme temperature changes. A stress crack has no chip or other sign of impact. Stress cracks are covered under warranty.

### **EXCLUSION OF DAMAGES**

In no event shall PIAA be liable for any damages whatsoever (including, without limitation, consequential damages, incidental damages, or damages for loss of use, loss of business profits, business interruption, loss of business information, loss of time, inconvenience, or other losses) arising out of the use, misuse, or inability to use a PIAA product. PIAA reserves the right to change the design its products without any obligation to modify any previous product. This warranty gives you specific legal rights. You may also have other rights that vary from state to state.

### **REPAIR AND REPLACEMENT**

If a PIAA product is suspected of being defective, it must be submitted freight prepaid, to either an authorized dealer or distributor for warranty inspection. The receipt or other proof of purchase and a description of the problem must be included. The returned product will be inspected. If the product is found to be defective and covered by this Limited Warranty, the sole remedy is repair or replacement, at PIAA's option. A repaired or replacement product will be shipped back at no charge, and will be warranted to be free from defects in workmanship and materials under normal use for as long as the original purchaser owns it. Removal, installation, or reinstallation costs are not covered by this Limited Warranty.

#### **PIAA CORPORATION, USA**

3004 NE 181st Avenue  
Portland, Oregon 97230  
Telephone: 503.489.6666  
Fax: 503.489.6600  
Web: [www.piaa.com](http://www.piaa.com)